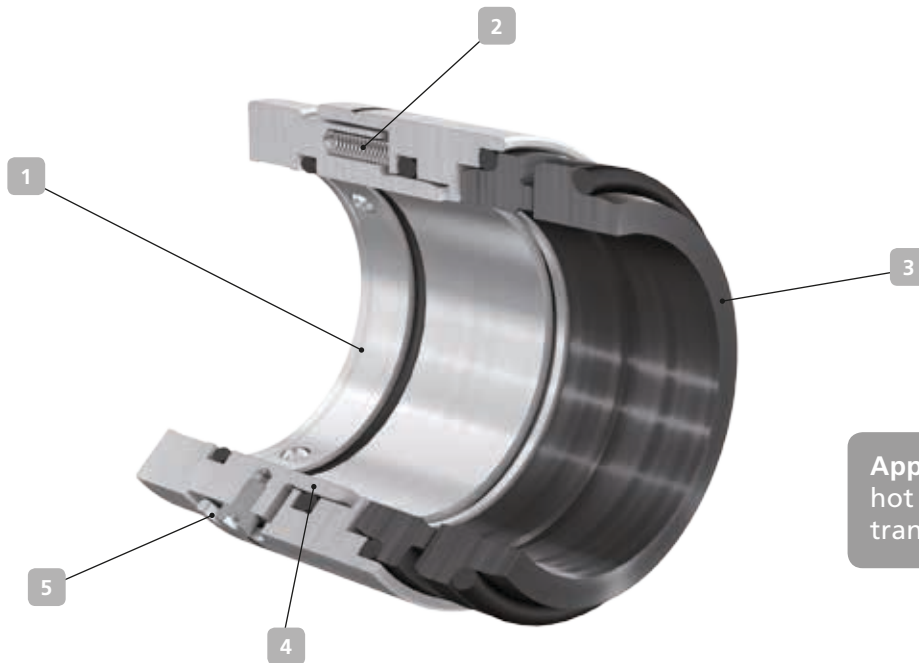


## 4HL – for KSB's HPK-L type series



**Applications:**  
hot water and heat  
transfer fluids

### 1 Compact

Single mechanical seal, tailored to the seal installation space and pump requirements.

### 2 Dependable

Dynamic type, multi-spring arrangement, bi-directional and balanced. Sturdy and practical seal design.

### 3 Versatile

If combined with a suitable pump design, the seal is suitable for fluid temperatures of up to 350 °C.

### 4 Easy to install I

Standard mechanical seals to EN 12756 would additionally require a shaft sleeve for balancing. This component is already integrated in mechanical seal type 4HL, resulting in various advantages, also for seal installation.

### 5 Easy to install II

Circumferential groove at the primary ring carrier facilitates setting the axial pre-load of the mechanical seal.

#### Technical description

Design	Single mechanical seal
Type	Dynamic, balanced
Springs	Multi-spring arrangement
Direction of rotation	Bi-directional
Additional information	Approved for drinking water (WRAS) Various wear part kits available, see ZN3302

#### Materials

Primary ring	"A" carbon (A) / "B" carbon (B)
Mating ring	SiC (Q1)
Elastomers	EPDM (E) / FKM (V)
Springs	1.4571 (G)
Other Components	1.4122 (E)

Other material combinations on request

#### Technical data

Operating pressure	Up to 40 bar, dynamic Up to 60 bar, static
Temperature	-10 °C to 130 °C
Bearing bracket (seal size)	LP02 (028), LP03 (038), LP04 (048), LP05 (060), LP06 (070)
Business type	Standard (KSB EasySelect)