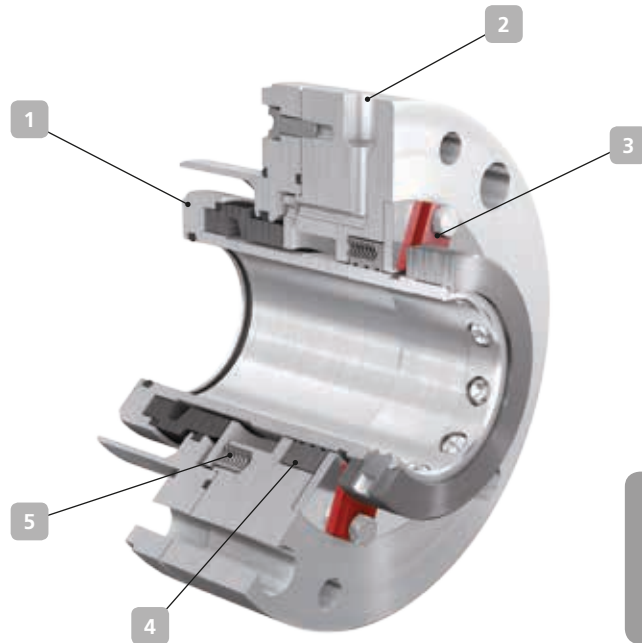


## 4RPQ – for KSB's RPH type series



**Applications:**  
non-API 682 applications in  
the chemical and petrochemical  
industries

### 1 Compact

Single cartridge seal, bi-directional and balanced.

### 2 Robust

The materials and design ensure a long service life.  
The mechanical seal features threaded connections for  
flushing out leakage at the atmospheric side.

### 3 Service-friendly

Tailored to the seal installation space and requirements  
of the pump. Easy installation; the assembly fixtures  
provide optimal spring pre-loading and pre-centring  
for transport and installation.

### 4 Increased safety

An integrated, floating throttling ring provides  
additional safety in the event of leakage.

### 5 Dependable

Stationary design, multiple springs located outside  
the fluid handled.

#### Technical description

Design	Single cartridge seal
Type	Stationary, balanced
Springs	Multi-spring arrangement
Direction of rotation	Bi-directional

#### Materials

Primary ring	SiC (Q1)
Mating ring	"B" carbon (B)
Elastomers	EPDM (E)
Springs	2.4610 (M)
Other Components	1.4571 (G)

Other material combinations on request

#### Technical data

Operating pressure	Up to 40 bar, dynamic Up to 60 bar, static
Temperature	-20 °C to 80 °C
Bearing bracket (seal size)	B02L (050), B03L (060), B05L (079), B06L (100)
Business type	Standard (KSB EasySelect)