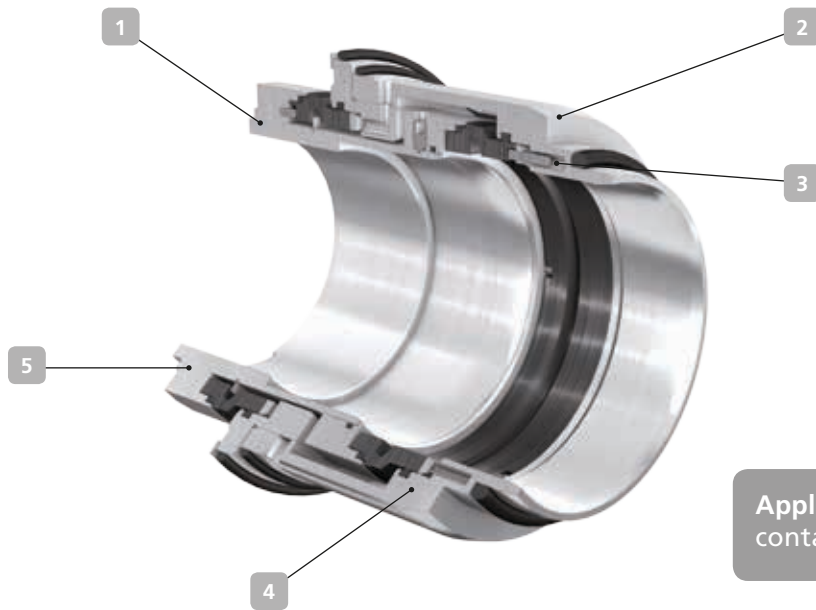


4STQ – for KSB's Sewatec / Sewabloc / Amarex KRT* pump type series



Applications:
contaminated waste water

1 Compact

Double mechanical seal in tandem arrangement, can be installed as one unit, bi-directional and balanced.

2 Versatile

For all operating conditions the pump is approved for.

3 Dependable

Stationary design, springs located outside the fluid handled in the oil reservoir. The springs are insensitive to contamination and provide uniform surface pressure across the seal faces, thus ensuring a long service life.

4 Robust

Tailored to the seal installation space and pump requirements.

5 Service-friendly

The modular design facilitates installation without assembly fixtures or adjusting dimensions, ensuring optimal pre-loading of the mechanical seal and low wear.

Technical description

Design	Double cartridge seal
Type	Stationary, balanced
Springs	Multi-spring arrangement
Direction of rotation	Bi-directional

Materials

Inboard	Primary and mating ring SiC (Q1)
Outboard	Primary ring: SiC (Q1) Mating ring: SiC (Q1) / tungsten carbide (U2)
Elastomers	FKM (V)
Springs	2.4610 (M)
Other Components	1.4122 (E)
Other material combinations on request	

Technical data

Operating pressure	Up to 10 bar, dynamic Up to 16 bar, static
Temperature	0 °C to 70 °C
Bearing bracket** (seal size)	S01 (022/025), S02 (033/033), S03 (033/055), S05 (065/065), S08 (120/120), S09 (150/150)
Business type	Engineered/Standard (KSB EasySelect)*

* Only for seal sizes 022/025, 033/033, 033/055

** It should always be checked if the seal size is compatible with the relevant bearing bracket or locating fit.