

5HG-BM3 – for KSB's HG pump type series

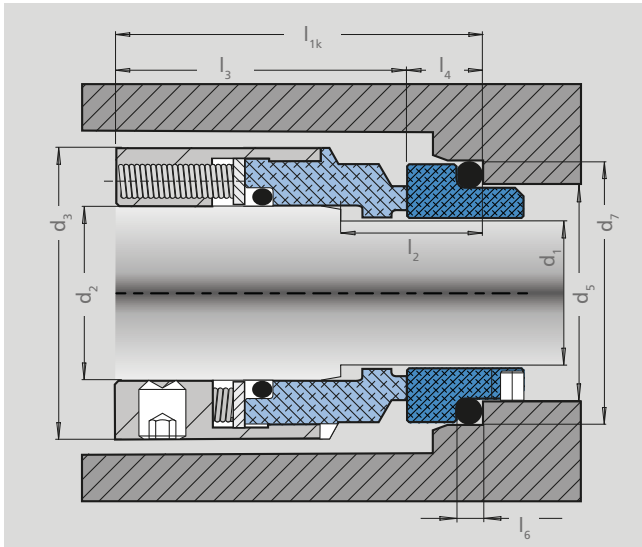
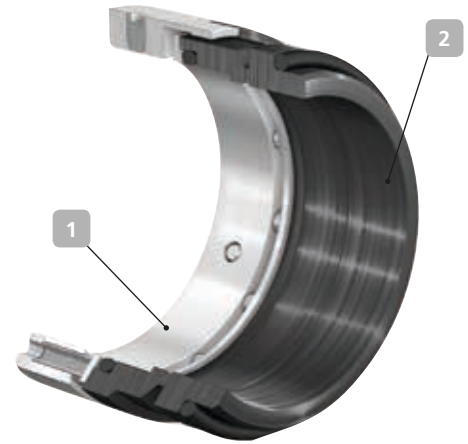


Fig. 1: Standard variant, dimensions see table on the next page



Applications:
feed water and condensate in
power stations

1 Flexible

The single mechanical seal can be fitted in the pump in different versions and arrangements, depending on the application. This means that the seal is always optimally matched to the operating conditions.

2 Durable

Perfectly matched to the application range of the pump, this high-quality mechanical seal has a very long seal life and ensures reliable pump operation.

Materials

Primary ring	"A" carbon (A)
Mating ring	SiC (Q1)
Elastomers	EPDM (E)
Springs	1.4571 (G)
Other Components	1.4571 (G)

Technical description

Design	Single mechanical seal
Type	Dynamic or stationary, balanced
Springs	Multi-spring arrangement
Direction of rotation	Bi-directional

Variants

Application limits BM3A

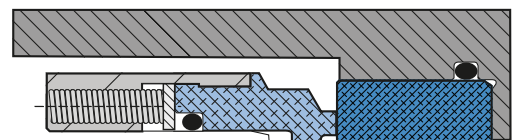
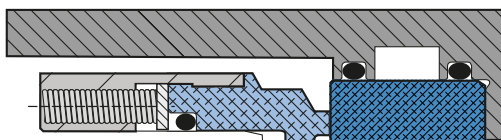
Operating pressure	Up to 40 barg
Temperature	Up to 200 °C
Seal size	060, 065, 085, 090, 095, 100
Spring travel	± 3 mm

Application limits BM3C

Operating pressure	Up to 40 barg
Temperature	Up to 170 °C
Seal size	060, 085, 090, 095
Spring travel	± 3 mm

Application limits BM3S

Operating pressure	Up to 40 barg
Temperature	Up to 200 °C
Seal size	060, 085, 090, 095
Spring travel	± 3 mm



5HG-BM3 – for KSB's HG pump type series

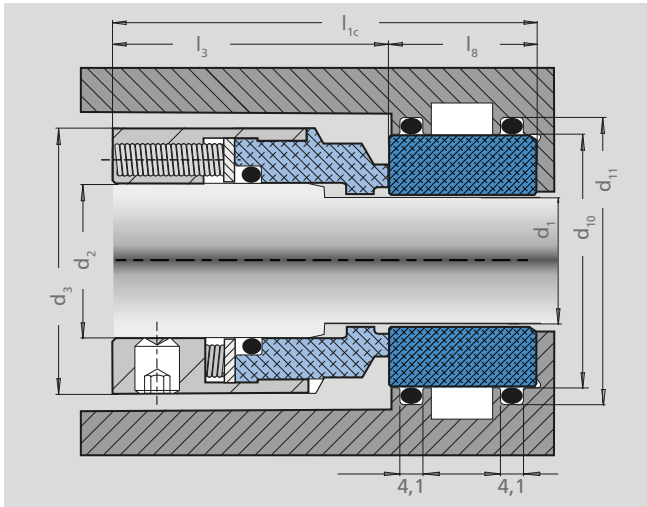


Fig. 2: Variant 5HG-BM3C, dimensions see table below

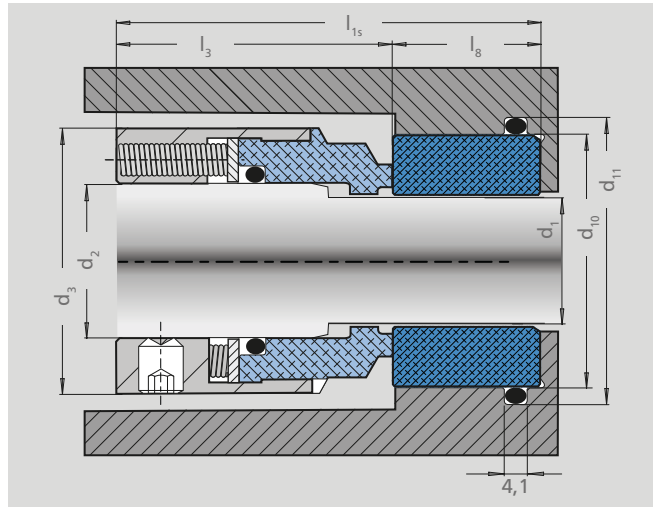


Fig. 3: Variant 5HG-BM3S, dimensions see table below

Dimensions for 5HG-BM3 (in mm)

Variants	d ₁ -0,2	d ₂ h6	d ₃	d ₅ H11	d ₇ H8	d ₁₀ ± 0.05	d ₁₁ ± 0.05	l _{1k}	l _{1c}	l _{1s}	l ₂	l ₃	l ₄	l ₆	l ₈
5HG-BM3A	60	65	85	72	80			62.5			25	49.5	13	6	
	65	70	90	77	85			62.5			25	49.5	13	6	
	85	90	114	100	110			75			28	59.5	15.5	7	
	90	95	119	105	115			75			28	59.5	15.5	7	
	95	100	124	110	120			75			28	59.5	15.5	7	
	100	105	129	115	125			75			28	59.5	15.5	7	
5HG-BM3C	60	65	85			82.75	88.67		76			49.5			26.5
	85	90	114			108.15	114.07		87			59.5			27.5
	90	95	119			114.50	120.42		87			59.5			27.5
	95	100	124			117.68	123.60		87			59.5			27.5
5HG-BM3S	60	65	85			82.75	88.67			76		49.5			26.5
	85	90	114			108.15	114.07			87		59.5			27.5
	90	95	119			114.50	120.42			87		59.5			27.5
	95	100	124			117.68	123.60			87		59.5			27.5